



PROVANTAGE 4500

Part Number: 90450, 91045, 94500

Rated Line Pull: 4500 lbs. (2041 kgs)

Motor: 12V DC, 1.9 hp (1.4 kW) Permanent Magnet

Controls: Remote and Dash Mounted Lighted Rocker Switch

Gear train: 3-Stage Planetary

Gear Ratio: 154:1

Clutch (Freespool): Sliding Pin and Ring Gear

Brake: Roller Disk

Drum diameter/length: 2.25"/4.7" (57mm/119mm)

Kit Shipping Weight: 33.5 lbs. (15.2 kgs)

Rope: Wire, \varnothing 7/32" x 50' (\varnothing 5.5mm x 15.2m)

Fairlead: Roller

Recommended Battery: 14 AH minimum

Duty Cycle: Intermittent

Battery leads: 6 gauge

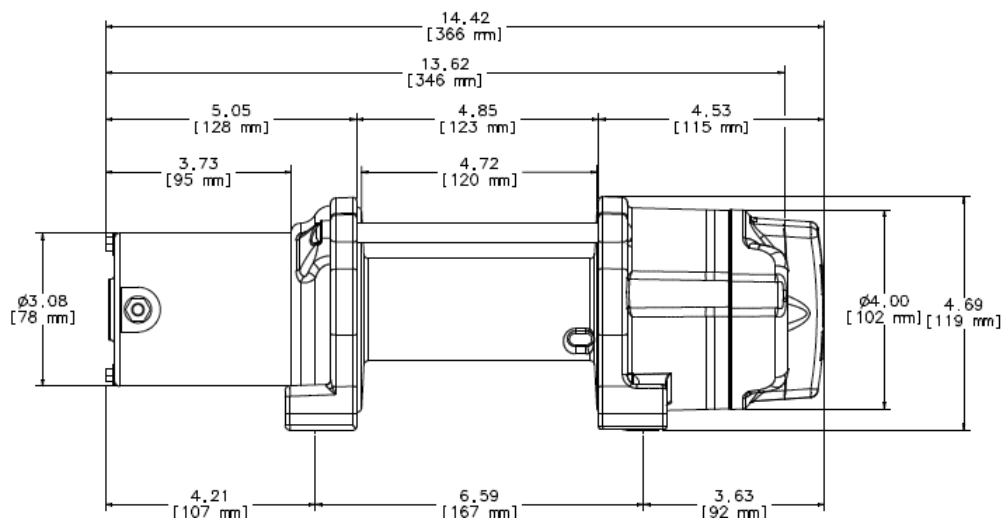
Finish: Black Powder Coat

Warranty: Limited Lifetime

Mounting Bolt Pattern: 3.0" x 6.66" (76mm x 169mm)

Winch Dimensions: 14.42" L x 4.51" D x 4.69" H (36.6cm L x 11.5cm D x 11.9cm H)

Winch Weight: 19.0 lbs. (8.6 kgs)



PERFORMANCE DATA

Load lbs. (kgs)	Current (Amps)	Speed Ft/min. (m/min.)
4500 (2041)	318	2.9 (.9)
3500 (1588)	241.2	5.7 (1.7)
2500 (1134)	175.0	8.4 (2.6)
1500 (680)	113.7	13.7 (4.2)
500 (227)	54.9	18.5 (5.6)
0	19.1	23.6 (7.2)

Pull by Layer Layer/lbs. (kgs.)
1/4500 (2041)
2/3349 (1519)
3/2880 (1306)
4/2526 (1146)

DUTY CYCLES

Load lbs(kgs)	Run Time	Distance ft.(m)	Cool Time (min)
0	2.5 min	60 (18.3)	12
500 (227)	2.0 min	37 (11.3)	10
1500 (680)	1.0 min	14 (4.3)	10
2500 (1134)	35 sec	5 (1.5)	10
3500 (1588)	15 sec	1.5 (.5)	10
4500 (2041)	10 sec	.5 (.2)	10

SERVICE INSTRUCTIONS

Should you encounter a problem during installation or operation of your winch, please follow these steps toward resolving the problem:

1. Refer to your operator's guide and installation instructions. It has illustrations and detailed information on the installation and safe and proper operation of your winch. It also includes a replacement parts list and assembly diagrams. If you are unable to resolve the problem, then go to step 2.
2. Contact your dealer where you purchased your winch. If, after discussing the problem with their parts and service staff, you are still unable to resolve the problem then go to step 3.
3. Call an Authorized WARN Service center from the list provided on the back of the warranty sheet included with the product. When calling, please have the following information available: winch model number and purchase date, make, model and year of vehicle.
4. If you are unable to resolve the problem to your satisfaction, please call Warn Industries Customer Service at: 1-800-543-9276. When calling, please have the following information available: winch model number and purchase date, make, model and year of vehicle. You may also contact Warn Industries by visiting our website: www.warn.com

SERVICE/UPGRADE KITS

Synthetic Rope Assy 7/32" x 50ft.....	PN 77835
Wire Rope Assy 7/32" x 55ft.....	PN 68851
Roller Fairlead Kit.....	PN 82550
Hawse, UTV Kit.....	PN 89539
Socket Assembly, Remote Control , PV45	PN 89542
Contactora Kit 12 VDC, Albright SVC.....	PN 76429
Remote Control, PV45, 10ft lead	PN 64849
Plate, Fairlead Mount	PN 69646
Hook Kit, 5/16" Clevis w/Strap	PN 89541
Strap, Hook	PN 69645
Dash Switch Kit	PN 89540
Remote Control, Wireless.....	PN 90288
Boot Electrical, 6 ga. (2 pair)	PN 76997
Cable Assy Kit, 6 ga. Black/Red 36".....	PN 76855
Cable Assy Kit, 6 ga. Blue/Yellow 96".....	PN 76856

WINCH SERVICE KITS

Kit PN	Items in Kit
89537	1, (2)20
69637	(2)2
74925	3, 7, 12, (2)29, 31, 36
74996	4, 5
74924	6
74998	8
89538	9, (2)10, 11, (6)19
75005	13
75004	14
74918	15
75002	16
74999	17
89543	18
89543	23, 24, 25, 26, 27, 28, (2)29, (2)30, 31, 32, (6)33, 34, 35, 36, 37
74921	35, 36, 37
76873	37
74923	24, 25, 26, 27, 28, 31, 36
74926	15, 30, 34, 36
74930	(2)20, (6)21

