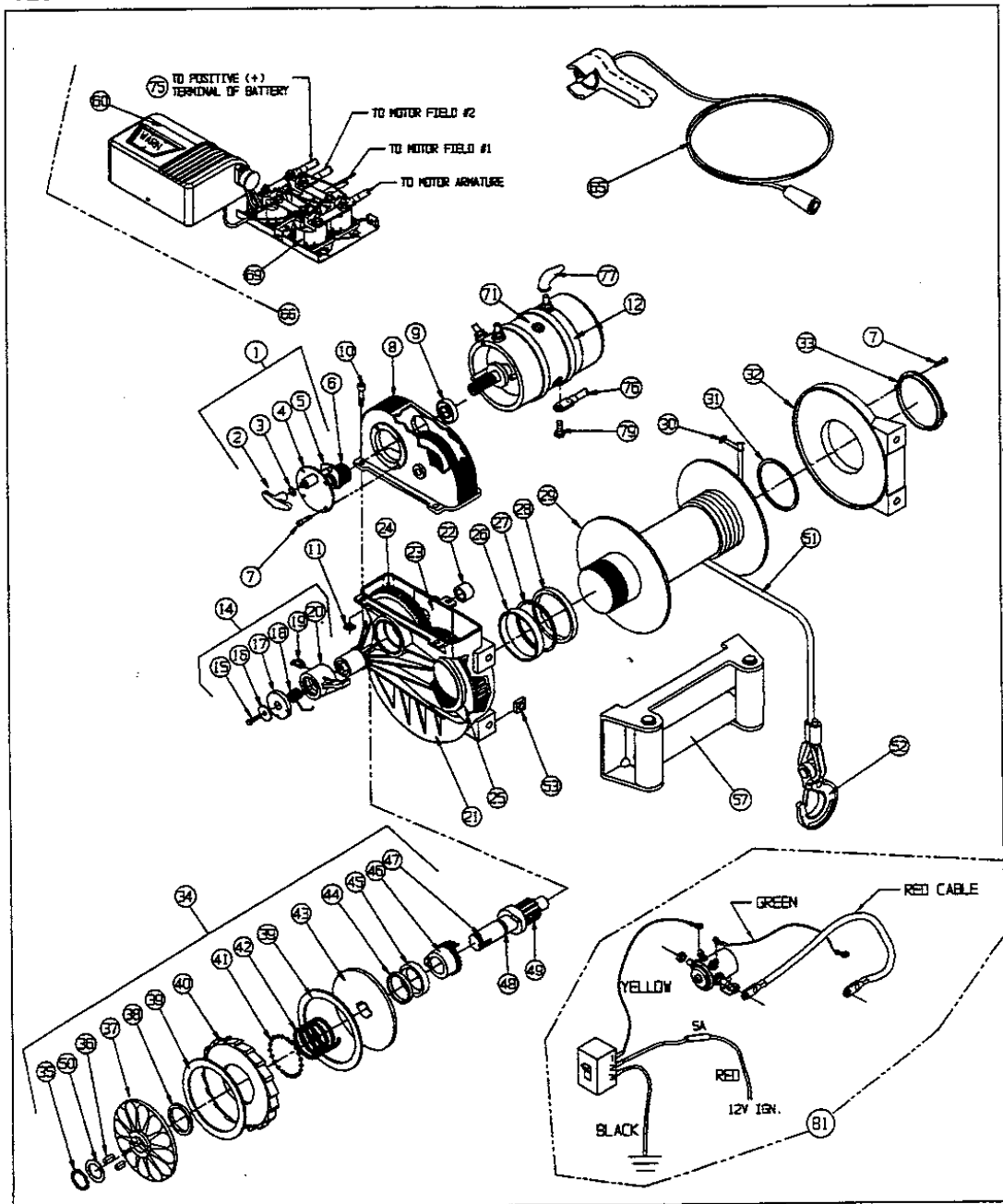


CE M8274-50
SERIAL NO. 628034 AND UP



**WARN CE M8274-50 WINCH
REPLACEMENT PARTS LIST**

SERIAL NO. 628034 AND UP

(P/N 386312)

ORDERING INFORMATION:

When ordering please give Warn Model number, Serial number & Battery voltage. Parts may be obtained through your local dealer or distributor.

ITEM	QTY	PART NO.	DESCRIPTION
1	1	8326	CLUTCH ASSEMBLY (Includes items 2-5)
2	1	37474	SHIFT KNOB
3	1	7596	SEAL
4	1	37476	CLUTCH HOUSING
5	1	8322	SHIFTER ASSEMBLY
6	1	15879	MOTOR PINION GEAR
7	4	8763	SCREW, 10-24X3/8"
8	1	9285	UPPER HOUSING ASSY (Includes item 9 and gears)
NOTE: DUE TO TECHNICAL ASSEMBLY REQUIREMENTS, THE UPPER HOUSING AND CLUSTER GEARS ARE NOT SOLD SEPARATELY.			
9	1	8316	ARMATURE, BEARING
10	3	3962	CAPSCREW, 5/16-18"
11	3	7953	SQUARE NUT, 5/16-18
12	1	7536	MOTOR, 12V (includes item 6)
14	1	7605	PAWL ASSEMBLY (Includes items 15 thru 20)
15	1	8867	CAPSCREW, 1/4-20X1/2"
16	1	9256	WASHER
17	1	9220	PROTECTIVE CAP
18	1	9257	PAWL SPRING
19	1	9245	GREASE FITTING
20	1	9258	PAWL
21	1	7594	LOWER HOUSING ASSY, (Includes items 22, 26 & 27)
22	1	8356	BEARING
23	1	7552	RETAINING RING
24	1	7548	INTERMEDIATE GEAR
25	1	7550	MAIN GEAR
		8680	SERVICE KIT, LOWER HOUSING (Includes items 26 thru 28, & 31)
26	1		BUSHING (IN 8680 KIT)
27	1		SEAL (IN 8680 KIT)
28	1		THRUST WASHER (IN 8680 KIT)
29	1	7708	DRUM
30	1	2048	WIRE ROPE CLAMP
31	1	7610	BUSHING (IN 8680 KIT)
32	1	7532	END SUPPORT, ASSY (Includes items 31, 33 and 7)
33	1	7582	END CAP
34	1	7634	BRAKE ASSEMBLY, (Includes items 35 thru 50)
35	1	35028	RETAINING RING

**WARN CE M8274-50 WINCH
REPLACEMENT PARTS LIST**

ORDERING INFORMATION:

When ordering please give Warn Model , Serial number & Battery voltage. Parts may be obtained through your local dealer or distributor.

ITEM	QTY	PART NO.	DESCRIPTION
36	2	7668	KEY
		8409	SERVICE KIT , BRAKE (Includes items 35, 36, 38, 39, 41, 42, 44, 45, 48 and 50)
37	1	8703	OUTER BRAKE DISC
38	1		HUB (IN 8409 KIT)
39	2	9734	FRICTION MATERIAL
40	1	7601	RATCHET
41	21		STEEL BALL(IN 8409 KIT)
42	1		SPRING(IN 8409 KIT)
43	1	7600	INNER BRAKE DISC
44	1	7612	LIP SEAL
45	1	7611	BUSHING
46	1	7562	SPLINED CAM
47	1	7732	PINION AND CAM (Includes item 49)
48	1	7613	O-RING SEAL
49	1		CAM
50	3	37472	SPRING, DISC BELLEVILLE
51	1	38311	WIRE ROPE ASSY. 150' W/THIMBLE
52	1	32423	HOOK, SAFETY 7/16" CLEVIS
53	4	7616	SQUARE NUT
57	1	5742	FAIRLEAD, ROLLER
65	1	38626	REMOTE CONTROL
60	1	38199	CONTROL HOUSING, 12V, W/HARNES, W/PLUG
66	1	38845	SOLENOID PACK, 12V
69	4	28396	SOLENOID, UPRIGHT TERMINAL
71	2	6005	CLAMP
75	1	33295	CABLE, ELECTRIC 2GA. 72" (RED)
76	1	15901	CABLE, ELECTRIC 2GA. 72" (BLACK)
77	3	2090	BOOT, ELECTRICAL TERMINAL
79	1	26744	HEX HEAD CAPSCREW, M8 X 1.25 X 12mm
80	1	38307	LABEL, KIT, CE M8274
81	1	32959	POWER INTERRUPT KIT

P/N 38289 REV C0