



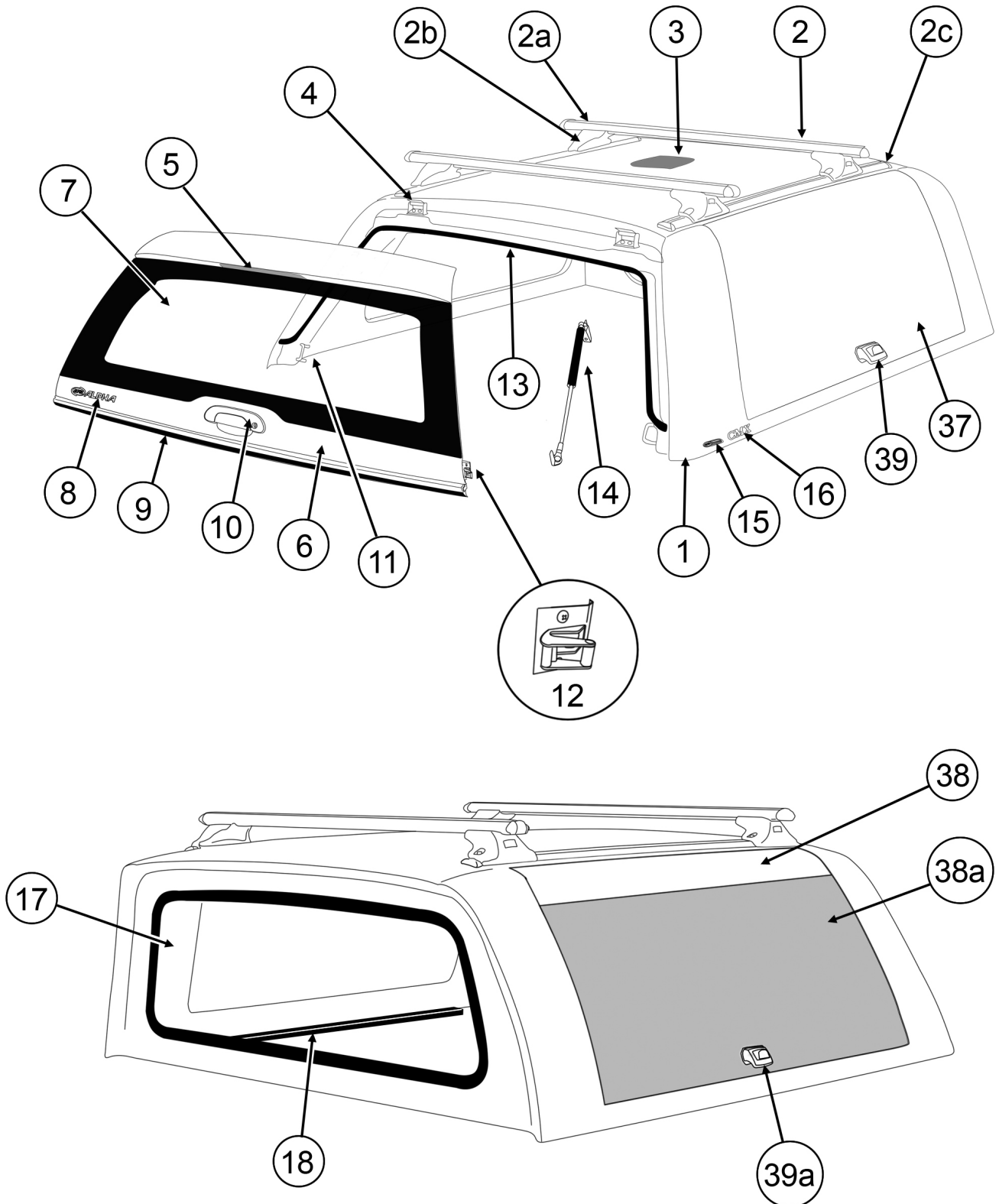
A NAME YOU CAN TRUST

ALPHA INNOVATION CO.,LTD.

1599 Moo1 Theparak Rd, T.Theparak A.Muang, Samutprakarn 10270, THAILAND.

Tel: (66-2) 385-3191, Fax: (66-2) 385-3192, <http://www.alphainnovation.com>

## PART LIST FOR CMX CANOPY





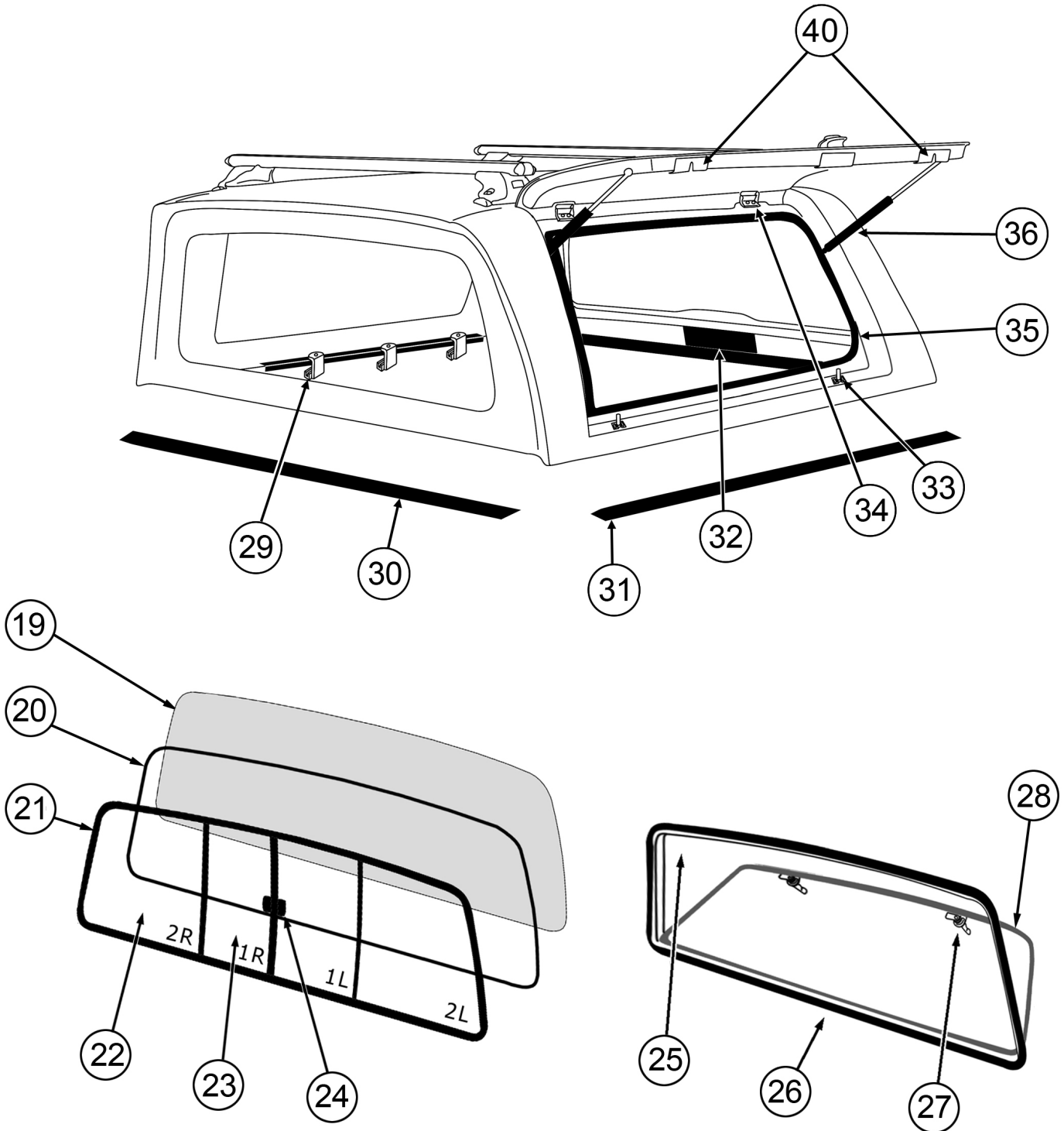
A NAME YOU CAN TRUST

ALPHA INNOVATION CO.,LTD.

1599 Moo1 Theparak Rd, T.Theparak A.Muang, Samutprakarn 10270, THAILAND.

Tel: (66-2) 385-3191, Fax: (66-2) 385-3192, <http://www.alphainnovation.com>

## PART LIST FOR CMX CANOPY





A NAME YOU CAN TRUST

# ALPHA INNOVATION CO.,LTD.

1599 Moo1 Theparak Rd. T.Theparak, A.Muang, Samutprakan 10

Tel: (66-2) 385-3191 Fax: (66-2) 385-3192 <http://www.alpha.net>

## PART LIST CMX CANOPY DOUBLE CAB

No	Code	Description
1	CMX/D	Canopy shell
2	SCB-CS1-2	Sliding crossbars (complete set) for Ford Ranger T6, Toyota Revo, New Isuzu D-Max
	SCB-CS2-2	Sliding crossbars (complete set) for Volkswagen Amarok, Mercedes X-class
	SCB-CS3-2	Sliding crossbars (complete set) for New Mitsubishi Triton, Nissan Navara NP300, Renault Alaskan
2a	CBR-1-2	Cross bar rails for Ford Ranger T6, Toyota Revo, New Isuzu D-Max
	CBR-2-2	Cross bar rails for Volkswagen Amarok, Mercedes X-class
	CBR-3-2	Cross bar rails for Mitsubishi Triton, Nissan Navara NP300, Renault Alaskan
2b	FT-CME	Cross bar mounting feet
2c	CBT-DC	Cross bar aluminium tracks
3	LT-RL-002	Room lamp
4	HN-RD-06-2	Stainless steel rear door hinge
5	LT-BE-007	Third LED brake light with e-mark
6	RD-FCMX-NI	Rear door frame for Nissan Navara NP300
	RD-FCMX-TO	Rear door frame for Toyota Revo
	RD-FCMX-FO	Rear door frame for Ford RangerT6
	RD-FCMX-VW	Rear door frame for Volkswagen Amarok
	RD-FCMX-IS	Rear door frame for New Isuzu D-Max
	RD-FCMX-MB	Rear door frame for Mercedes X-class
	RD-FCMX-RE	Rear door frame for Renault Alaskan
	RD-FCMX-MT	Rear door frame for New Mitsubishi Triton
7	RD-CMX-1	Rear door glass for Nissan Navara NP300, Renault Alaskan
	RD-CMX-1-HT-A	Rear door glass for Nissan Navara NP300, Renault Alaskan with rear defroster
	RD-CMX2	Rear door glass for Toyota Revo, Ford Ranger T6
	RD-CMX2-HT-A	Rear door glass for Toyota Revo, Ford Ranger T6 with rear defroster
	RD-CMX3	Rear door glass for Mercedes X-class
	RD-CMX3-HT-A	Rear door glass for Mercedes X-class with rear defroster
	RD-CMX6	Rear door glass for Volkswagen Amarok
	RD-CMX6-HT-A	Rear door glass for Volkswagen Amarok with rear defroster
	RD-GSX1	Rear door glass for New Isuzu D-Max
	RD-GSX1-HT-A	Rear door glass for New Isuzu D-Max with rear defroster
	RD-GSX2	Rear door glass for New Mitsubishi Triton
	RD-GSX2-HT-A	Rear door glass for New Mitsubishi Triton with rear defroster
8	SK-LG-001-2	Rear sticker
9	BA-PT-002-L3	Rear Aluminium bar with sponge seal
	RB-PT-06	Rear door sponge seal for Nissan Navara NP300 Renault Alaskan, Mercedes X-class



# ALPHA INNOVATION CO.,LTD.

1599 Moo1 Theparak Rd. T.Theparak, A.Muang, Samutprakan 10

Tel: (66-2) 385-3191 Fax: (66-2) 385-3192 <http://www.alpha.net>

## PART LIST CMX CANOPY DOUBLE CAB

No	Code	Description
10	IHD-EX-6	Exterior handle lock
	IHD-EX-6-R	Exterior handle lock - OE remote compatible
	IHD-EX-6-ARM	Exterior handle lock - Alpha remote compatible
11	LK-BH-05-LR	Stainless steel wing lock hook plate
12	LK-LH-WI-2-LR	Stainless steel wing lock latch
13	RB-SL-02	Rear door rubber seal
14	CH-002-46200	Hydraulic strut (Shock absorber) with stainless steel bracket
15	GR-DR-04	Water drain grill (left & right)
16	SK-CMX-1N	Side sticker (left & right)
17	LN-V-CMX	Vinyl lining
	LN-C-CMX	Carpet lining
18	BA-SM-3-2	Side aluminium bar (L profile)
19	FF-2	Front fixed glass for Nissan Navara NP300, Toyota Revo, Ford Ranger T6, Isuzu D-Max, Renault Alaskan, Mercedes X-class
	FF-3	Front fixed glass for New Mitsubishi Triton
	FF-4	Front fixed glass for Volkswagen Amarok
20	RB-SLJ-02-311	Front window frame rubber for Nissan Navara NP300, Toyota Revo, Ford Ranger T6, Isuzu D-Max, Renault Alaskan, Mercedes X-class
	RB-SLJ-02-300	Front window frame rubber for New Mitsubishi Triton
	RB-SLJ-02-340	Front window frame rubber for Volkswagen Amarok
21	FS-2	Front sliding window for Nissan Navara NP300, Toyota Revo, Ford Ranger T6, Isuzu D-Max, Renault Alaskan, Mercedes X-class
	FS-3	Front sliding window for New Mitsubishi Triton
	FS-4	Front sliding window for Volkswagen Amarok
22	G-FS2-2R	Fixed glass of front sliding window for Nissan Navara NP300, Toyota Revo, Ford Ranger T6, Isuzu D-Max, Renault Alaskan, Mercedes X-class (Right)
	G-FS2-2L	Fixed glass of front sliding window for Nissan Navara NP300, Toyota Revo, Ford Ranger T6, Isuzu D-Max, Renault Alaskan, Mercedes X-class (Left)
	G-FS3-2R	Fixed glass of front sliding window for New Mitsubishi Triton (Right)
	G-FS3-2L	Fixed glass of front sliding window for New Mitsubishi Triton (Left)
	G-FS4-2R	Fixed glass of front sliding window for Volkswagen Amarok (Right)
	G-FS4-2L	Fixed glass of front sliding window for Volkswagen Amarok (Left)
23	G-FS2-1R	Sliding glass of front sliding window for Nissan Navara NP300, Toyota Revo, Ford Ranger T6, Isuzu D-Max, Renault Alaskan, Mercedes X-class (Right)
	G-FS2-1L	Sliding glass of front sliding window for Nissan Navara NP300, Toyota Revo, Ford Ranger T6, Isuzu D-Max, Renault Alaskan, Mercedes X-class (Left)
	G-FS3-1R	Sliding glass of front sliding window for New Mitsubishi Triton (Right)
	G-FS3-1L	Sliding glass of front sliding window for New Mitsubishi Triton (Left)
	G-FS4-1R	Sliding glass of front sliding window for Volkswagen Amarok (Right)
	G-FS4-1L	Sliding glass of front sliding window for Volkswagen Amarok (Left)
24	LK-G-002	Front glass locking system



# ALPHA INNOVATION CO.,LTD.

1599 Moo1 Theparak Rd. T.Theparak, A.Muang, Samutprakan 10

Tel: (66-2) 385-3191 Fax: (66-2) 385-3192 <http://www.alpha.net>

## PART LIST CMX CANOPY DOUBLE CAB

No	Code	Description
25	DDW-2	Front drop down window (complete set) for Nissan Navara NP300, Toyota Revo, Ford Ranger T6, Isuzu D-Max, Renault Alaskan, Mercedes X-class
	DDW-3	Front drop down window (complete set) for New Mitsubishi Triton
	DDW-4	Front drop down window (complete set) for Volkswagen Amarok
26	RB-SLJ-05-2	Front drop down window rubber for Nissan Navara NP300, Toyota Revo, Ford Ranger T6, Isuzu D-Max, Renault Alaskan, Mercedes X-class
	RB-SLJ-05-3	Front drop down window rubber for New Mitsubishi Triton
	RB-SLJ-05-4	Front drop down window rubber for Volkswagen Amarok
27	LK-DW-S	Front drop down window latches
28	G-FDW2-2	Front drop down window glass and hinge for Nissan Navara NP300, Toyota Revo, Ford Ranger T6, Isuzu D-Max, Renault Alaskan, Mercedes X-class
	G-FDW3-2	Front drop down window glass and hinge for New Mitsubishi Triton
	G-FDW4-2	Front drop down window glass and hinge for Volkswagen Amarok
29	CP-011-5	Hooked clamping system for Toyota Revo
	CP-011-6	Hooked clamping system for Nissan Navara NP300, New Mitsubishi Triton, Volkswagen Amarok, Renault Alaskan, Mercedes X-class
	CP-010	Bolted clamping system
30	TP-DS-01	Fitting protection foam sponge
31	RB-SL-M15	Fitting protection rubber for New Mitsubishi Triton
	RB-SL-T15	Fitting protection rubber for Toyota Revo
	RB-SL-I12	Fitting protection rubber for New Isuzu D-Max
	RB-SL-N14	Fitting protection rubber for Nissan Navara NP300
	RB-SL-F12	Fitting protection rubber for Ford Ranger T6
	RB-SL-MB17	Fitting protection rubber for Mercedes X-class
	RB-SL-R17	Fitting protection rubber for Renault Alaskan
	RB-SL-V10	Fitting protection rubber for Volkswagen Amarok
32	HD-INS-08	Interior handle lock
33	LK-SD-CML-1	Lift-up side door locking pin
34	HN-RD-06-2	Lift-up side door hinge
35	RB-SLJ-03-1	Lift-up side door fitting rubber for New Mitsubishi Triton
	RB-SLJ-03-3	Lift-up side door fitting rubber for Ford Ranger T6, Toyota Revo
	RB-SLJ-03-5	Lift-up side door fitting rubber for Nissan Navara NP300, New Isuzu D-Max, Renault Alaskan, Mercedes X-class
	RB-SLJ-03-6	Lift-up side door fitting rubber for Volkswagen Amarok
36	CH-46150	Lift-up side door hydraulic strut
37	F-LUP-CMX	Lift-up side door
38	F-LUP-CMX-W	Lift-up side door with glass panel



# ALPHA INNOVATION CO.,LTD.

1599 Moo1 Theparak Rd. T.Theparak, A.Muang, Samutprakan 10

Tel: (66-2) 385-3191 Fax: (66-2) 385-3192 <http://www.alpha.net>

## PART LIST CMX CANOPY DOUBLE CAB

No	Code	Description
38a	G-SD-CMX-D1-LT	Glass panel for lift-up side door (Left) for Nissan Navara NP300, Volkswagen Amarok
	G-SD-CMX-D1-RT	Glass panel for lift-up side door (Right) for Nissan Navara NP300, Volkswagen Amarok
	G-SD-CMX-D2-LT	Glass panel for lift-up side door (Left) for new Mitsubishi Triton
	G-SD-CMX-D2-RT	Glass panel for lift-up side door (Right) for new Mitsubishi Triton
	G-SD-CMX-D3-LT	Glass panel for lift-up side door (Left) for Toyota Revo, Ford Ranger T6, New Isuzu D-Max
	G-SD-CMX-D3-RT	Glass panel for lift-up side door (Right) for Toyota Revo, Ford Ranger T6, New Isuzu D-Max
	G-SD-CMX-D4-LT	Glass panel for lift-up side door (Left) for Renault Alaskan, Mercedes X-class
	G-SD-CMX-D4-RT	Glass panel for lift-up side door (Right) for Renault Alaskan, Mercedes X-class
39	HD-EX-L01-3	Lift-up side window lock
	HD-EX-L04-4-2	Lift-up side window lock - remote compatible
39a	IHD-EX-6-3	Lift-up side door locks & rear cover plate with matching rear door handle (parts # 10 & # 39 x 2)
39b	IHD-EX-6-3-R	Lift-up side door locks & rear cover plate with matching rear door handle (parts # 10 & # 39 x 2) - OE remote compatible
39c	IHD-EX-6-3-ARM	Lift-up side door locks & rear cover plate with matching rear door handle (parts # 10 & # 39 x 2) - Alpha remote compatible
40	LK-SD-WL-WI	Double side door wing locks (including locking rods)
40a	IHD-EX-6-WL	Lift-up side door locks & rear cover plate with matching rear door handle and double side door wing locks (parts # 39a & # 40)