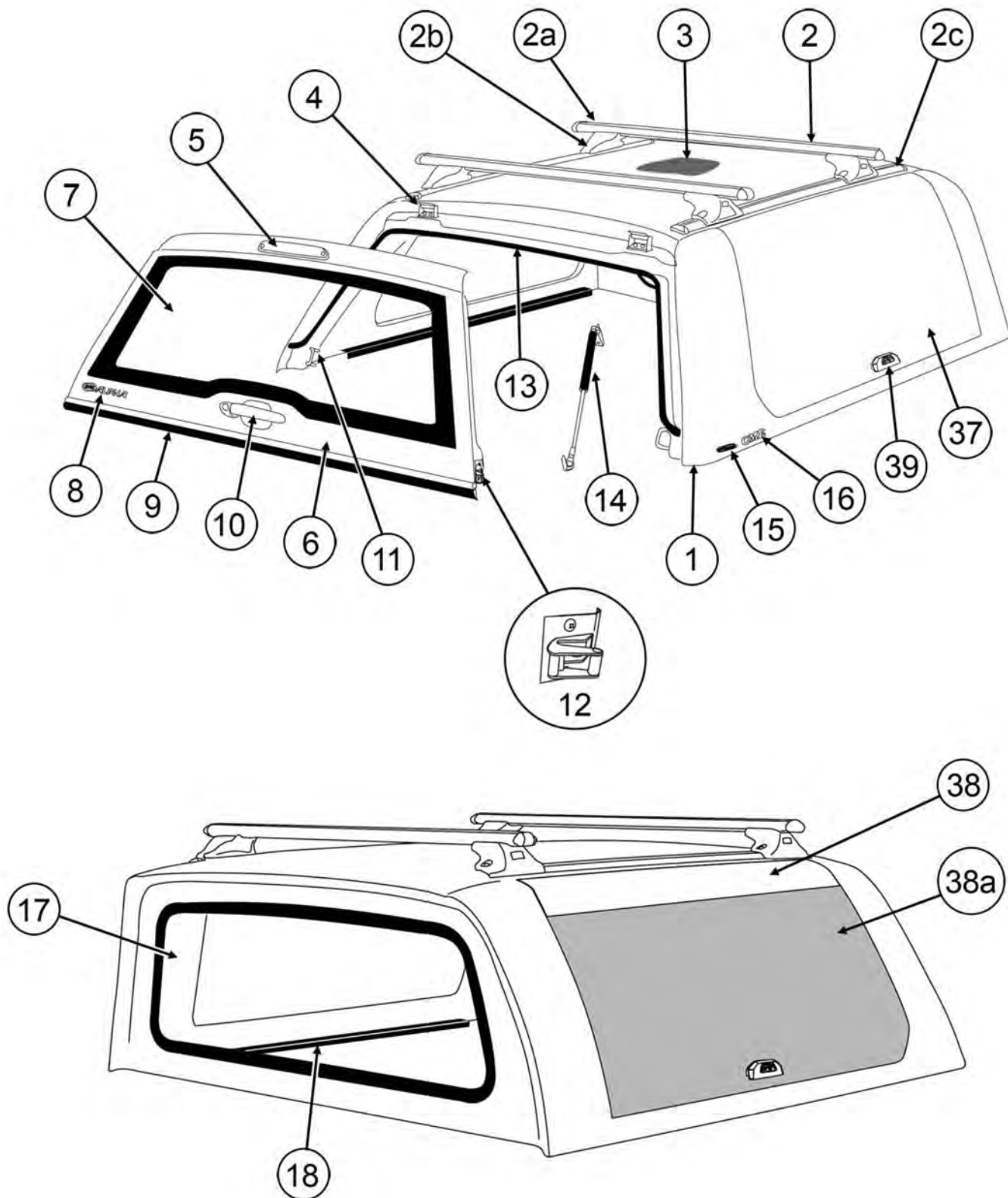
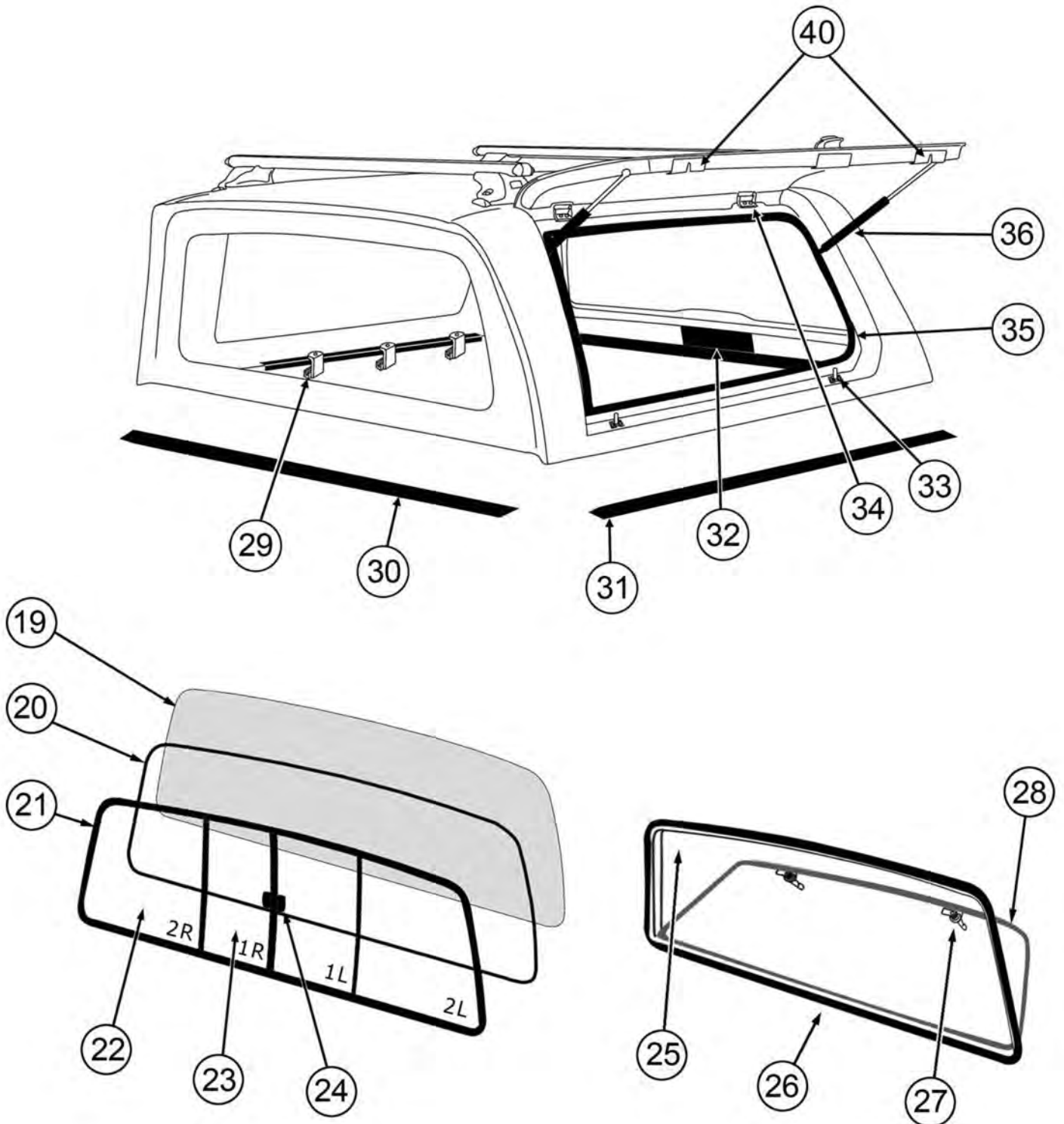


PART LIST FOR CME CANOPY



PART LIST FOR CME CANOPY



PART LIST CME CANOPY DOUBLE CAB

No	Code	Description
1	CME/D	Canopy shell
2	SCB-CS1	Sliding crossbars (complete set) for Ford Ranger, Toyota Vigo, Ford Ranger T6, New Isuzu D-Max
	SCB-CS2	Sliding crossbars (complete set) for Volkswagen Amarok, Nissan D40
	SCB-CS3	Sliding crossbars (complete set) for Mitsubishi Triton long bed
2a	CBR-1	Cross bar rails for Ford Ranger, Toyota Vigo, Ford Ranger T6, New Isuzu D-Max
	CBR-2	Cross bar rails for Volkswagen Amarok, Nissan D40
	CBR-3	Cross bar rails for Mitsubishi Triton long bed
2b	FT-CME	Cross bar mounting feet
2c	CBT-DC	Cross bar aluminium tracks
3	LT-RL-002	Room lamp
4	HN-RD-003	Stainless steel rear door hinge
5	LT-BE-006	Third LED brake light with e-mark
	LT-BE-006-1	Third LED brake light
6	RD-FCME-TV	Rear door frame for Toyota Vigo
	RD-FCME-FO	Rear door frame for Ford Ranger
	RD-FCME-NI	Rear door frame for Nissan D40
	RD-FCME-MI	Rear door frame for Mitsubishi Triton long bed
	RD-FCME-VW	Rear door frame for Volkswagen Amarok
	RD-FCME-T6	Rear door frame for Ford Ranger T6
RD-FCME-ISN	Rear door frame for New Isuzu D-Max	
7	RD-CME-1	Rear door glass for Toyota Vigo, Ford Ranger
	RD-CME-1-HT-A	Rear door glass for Toyota Vigo, Ford Ranger with rear defroster
	RD-CME-2	Rear door glass for Nissan D40
	RD-CME-2-HT-A	Rear door glass for Nissan D40 with rear defroster
	RD-CME-3	Rear door glass for Mitsubishi Triton long bed
	RD-CME-3-HT-A	Rear door glass for Mitsubishi Triton with rear defroster
	RD-CME-4	Rear door glass for Volkswagen Amarok
	RD-CME-4-HT-A	Rear door glass for Volkswagen Amarok with rear defroster
	RD-CME-5	Rear door glass for Ford Ranger T6, New Isuzu D-Max
RD-CME-5-HT-A	Rear door glass for Ford Ranger T6, New Isuzu D-Max with rear defroster	
8	SK-LG-001	Rear sticker
9	BA-PT-002-L3	Rear Aluminium bar with sponge seal
10	IHD-EX-5-2-R	Exterior handle lock
11	LK-WL-01	Stainless steel wing lock hook plate
12	LK-LH-WL-LR	Stainless steel wing lock latch
13	RB-SL-02	Rear door rubber seal (no.022)
14	CH-001-46200	Hydraulic strut (Shock absorber) with stainless steel bracket
15	GR-DR-04	Water drain grill (left & right)

PART LIST CME CANOPY DOUBLE CAB

No	Code	Description
16	SK-LG-014	Side sticker (left & right)
17	LN-V-CME	Vinyl lining
	LN-C-CME	Carpet lining
18	BA-SM-3	Side aluminium bar (L profile)
19	FF-1	Front fixed glass for universal
	FF-2	Front fixed glass for Toyota Vigo, Ford Ranger T6, New Isuzu D-Max
	FF-3	Front fixed glass for Mitsubishi Triton long bed
	FF-4	Front fixed glass for Volkswagen Amarok
20	RB-SLJ-02-305	Front window frame rubber for universal
	RB-SLJ-02-311	Front window frame rubber for for Toyota Vigo, Ford Ranger T6, New Isuzu D-Max
	RB-SLJ-02-298	Front window frame rubber for Mitsubishi Triton long bed
	RB-SLJ-02-340	Front window frame rubber for Volkswagen Amarok
21	FS-1	Front sliding window for universal
	FS-2	Front sliding window for Toyota Vigo, Ford Ranger T6, New Isuzu D-Max
	FS-3	Front sliding window for Mitsubishi Triton long bed
	FS-4	Front sliding window for Volkswagen Amarok
22	G-FS1-2R	Fixed glass of front sliding window for universal (Right)
	G-FS1-2L	Fixed glass of front sliding window for universal (Left)
	G-FS2-2R	Fixed glass of front sliding window for Toyota Vigo, Ford Ranger T6, New Isuzu D-Max (Right)
	G-FS2-2L	Fixed glass of front sliding window for Toyota Vigo, Ford Ranger T6, New Isuzu D-Max (Left)
	G-FS3-2R	Fixed glass of front sliding window for Mitsubishi Triton long bed (Right)
	G-FS3-2L	Fixed glass of front sliding window for Mitsubishi Triton long bed (Left)
	G-FS4-2R	Fixed glass of front sliding window for Volkswagen Amarok (Right)
	G-FS4-2L	Fixed glass of front sliding window for Volkswagen Amarok (Left)
23	G-FS1-1R	Sliding glass of front sliding window for universal (Right)
	G-FS1-1L	Sliding glass of front sliding window for universal (Left)
	G-FS2-1R	Sliding glass of front sliding window for Toyota Vigo, Ford Ranger T6, New Isuzu D-Max (Left)
	G-FS2-1L	Sliding glass of front sliding window for Toyota Vigo, Ford Ranger T6, New Isuzu D-Max (Left)
	G-FS3-1R	Sliding glass of front sliding window for Mitsubishi Triton long bed (Right)
	G-FS3-1L	Sliding glass of front sliding window for Mitsubishi Triton long bed (Left)
	G-FS4-1R	Sliding glass of front sliding window for Volkswagen Amarok (Right)
	G-FS4-1L	Sliding glass of front sliding window for Volkswagen Amarok (Left)
24	LK-G-002	Front glass locking system

PART LIST CME CANOPY DOUBLE CAB

No	Code	Description
25	DDW-1	Front drop down window (complete set) for universal
	DDW-2	Front drop down window (complete set) for Toyota Vigo Ford Ranger T6, New Isuzu D-Max
	DDW-3	Front drop down window (complete set) for Mitsubishi Triton long bed
	DDW-4	Front drop down window (complete set) for Volkswagen Amarok
26	RB-SLJ-05-1	Front drop down window rubber for universal
	RB-SLJ-05-2	Front drop down window rubber for Toyota Vigo Ford Ranger T6, New Isuzu D-Max
	RB-SLJ-05-3	Front drop down window rubber for Mitsubishi Triton long bed
	RB-SLJ-05-4	Front drop down window rubber for Volkswagen Amarok
27	LK-DW-S	Front drop down window latches
28	G-FDW1	Front drop down window glass and hinge for universal
	G-FDW2	Front drop down window glass and hinge for Toyota Vigo Ford Ranger T6, New Isuzu D-Max
	G-FDW3	Front drop down window glass and hinge for Mitsubishi Triton long bed
	G-FDW4	Front drop down window glass and hinge for Volkswagen Amarok
29	CP-006	Hooked clamping system
	CP-007	Bolted clamping system
	CP-008	Hooked clamping system for Volkswagen Amarok, New Chevrolet Colorado
30	TP-DS-01	Fitting protection foam sponge
31	RB-SL-04	Fitting protection rubber
32	HD-INS-01	Interior handle lock
33	LK-SD-CML-1	Lift-up side door locking pin
34	HN-RD-003	Lift-up side door hinge
35	RB-SLJ-03-5	Lift-up side door fitting rubber for Toyota Vigo, Nissan D40, Ford Ranger, Volkswagen Amarok, Ford Ranger T6, New Isuzu D-Max
	RB-SLJ-03-6	Lift-up side door fitting rubber for Mitsubishi Triton long bed
36	CH-31150	Lift-up side door hydraulic strut for Toyota Vigo, Nissan D40, Ford Ranger
	CH-36150	Lift-up side door hydraulic strut Mitsubishi Triton long bed, Volkswagen Amarok, Ford Ranger T6, New Isuzu D-Max
37	F-LUP-CME	Lift-up side door
38	F-LUP-CME-W	Lift-up side door with glass panel
38a	G-SD-CME-D1-RT	Glass panel for lift-up side door (right side)
38b	G-SD-CME-D1-LT	Glass panel for lift-up side door (left side)
39	HD-EX-LO1-2	Lift-up side door lock & rear cover plate
39a	IHD-EX-4-2	Lift-up side door locks & rear cover plate with matching rear door handle (parts # 10 & # 39 x 2)
40	LK-SD-WL-WI	Double side door wing locks (including locking rods)
40a	IHD-EX-4-2-WL	Lift-up side door locks & rear cover plate with matching rear door handle and double side door wing locks (parts # 39a & # 40)